

TELEHANDLER ATTACHMENTS & ACCESSORIES GUIDE



JLG
**GROUND
SUPPORT**

AFTERMARKET PARTS

Putting your work above everything.™

JLG
SKYTRAK
Lull
GRADALL



JLG
GROUND
SUPPORT

AFTERMARKET PARTS

Productivity. Efficiency. The bottom line. That's what your business is all about. And that's where JLG Aftermarket Parts can help. This guide makes it easy for you to select the proper tool to achieve optimum performance for your SkyTrak®, Lull®, Gradall®, and JLG® telehandlers. With quality attachments and accessories, JLG Aftermarket Parts is committed to putting your work above everything. So you can get the job done – right and on time.

TABLE OF CONTENTS



ATTACHMENTS

- 4 CARRIAGES
 - Standard Carriage, Side-Tilt Carriage, Side-Shift Carriage, Swing Carriage
- 12 BUCKETS
 - Material Bucket, Grapple Bucket, 4-in-1 Bucket
- 16 TRUSS BOOM
- 18 TOWER
- 20 PLATFORMS
 - Fork Mounted Work Platform, Personnel Work Platform
- 22 OTHER
 - Fork Mounted Lifting Hook, Sheet Material Adapter, Bale Clamp, Round Fork Tines, Universal Skid Steer Adapter, Sweeper, Auger, Concrete Bucket

FORKS

- 32 FORKS
 - Pallet, Cubing, Lumber

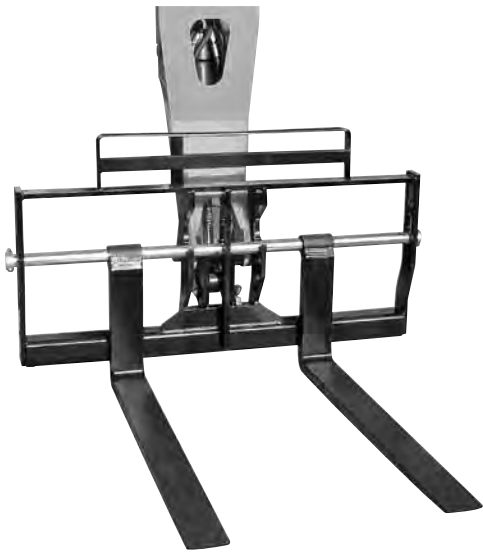
ACCESSORIES

- 40 COVERS
 - Cab Covers, Heated Seat Covers
- 42 KITS
 - Hard Cab Enclosure Kits, Vinyl Cab Enclosure Kits, Wear Pad Kits, Fender Kits, Hydraulic Pressure Testing Kits
- 48 CALIPER
 - Fork Wear Caliper



ATTACHMENTS





STANDARD CARRIAGE

The standard carriage is manufactured with high quality steel and available in various sizes. This attachment is essential on most job sites, allowing operators to pick and place materials – from pallets of concrete block to loads of lumber.

CURRENT PRODUCTION STANDARD CARRIAGES

Ordered through JLG Aftermarket Parts or with new machine orders

CARRIAGE SIZE		48 in.	48 in.	48 in.
APPROX. WEIGHT		484 lb	417 lb	425 lb
PART NO.		1001104006	1170028	1001099736
FORK PIN NO.		70022105	(2) 4040283	70021339
JLG ALL-WHEEL STEER	619A		•	
	723A		•	
	G5-18A	•*		•
	G6-42A SERIAL NO. > 0160037722			
	G9-43A SERIAL NO. > 0160037671			
	G10-55A SERIAL NO. > 0160037690			
JLG REAR PIVOT STEER	G12-55A SERIAL NO. > 0160037689			
	G6-42P SERIAL NO. > 0160037689			
	534D9-45 SERIAL NO. > 0160037689			
SKYTRAK	534D10-45 SERIAL NO. > 0160037689			
	544D10-55 SERIAL NO. > 0160037689			
	6036 SERIAL NO. > 0160037789			
	6042 SERIAL NO. > 0160037789			
	8042 SERIAL NO. > 0160037799			
LULL	10042 SERIAL NO. > 0160037798			
	10054 SERIAL NO. > 0160037793			
	644E-42 SERIAL NO. > 0160037794			
	944E-42 SERIAL NO. > 0160037794			
	1044C-54SII SERIAL NO. > 0160037893			

* Used with the Universal Quick Coupler

">" Refers to a serial number that is after/greater than the number listed.

NOTE: Use only JLG approved attachments with proper material handler model/attachment load capacity charts displayed in the operator's cab.

Can't find the attachment you are looking for? Contact your JLG Aftermarket Parts representative at 1-877-JLG-LIFT or visit www.jlg.com.

NOTES:

- Standard up-and-down tilt on horizontal plane
- Multiple fork options
- Previous generation SkyTrak attachments may be used on current production SkyTrak models (proper load charts required)
- Previous generation Lull E-Series attachments may be used on current production Lull E-Series models (proper load charts required)
- New standardized attachments are compatible to older Lull E-Series models (proper load charts required)

CURRENT PRODUCTION STANDARD CARRIAGES

Ordered through JLG Aftermarket Parts or with new machine orders

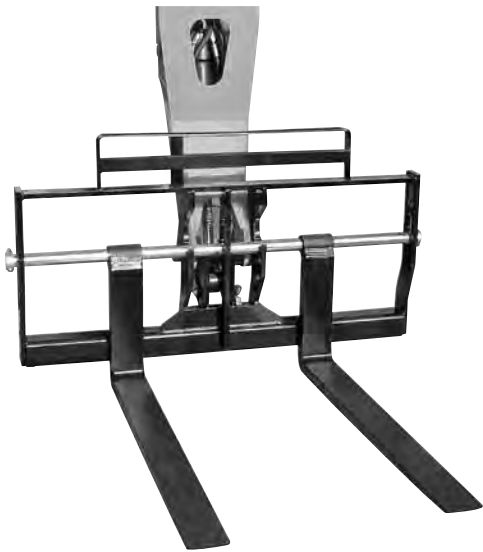
CARRIAGE SIZE		50 in.	50 in.	50 in.	60 in.	72 in.
APPROX. WEIGHT		460 lb	526 lb	471 lb	497 lb	549 lb
PART NO.		1001097283S	1001112793	1170021S	1170024S	1170027S
FORK PIN NO.		3423275	3423275	3423275	3423242	3423276
JLG ALL-WHEEL STEER	619A					
	723A					
	G5-18A	•	•			
	G6-42A SERIAL NO. > 0160037722			•	•	•
	G9-43A SERIAL NO. > 0160037671			•	•	•
	G10-55A SERIAL NO. > 0160037690			•	•	•
	G12-55A SERIAL NO. > 0160037689			•	•	•
JLG REAR PIVOT STEER	G6-42P SERIAL NO. > 0160037689			•	•	•
	534D9-45 SERIAL NO. > 0160037689			•	•	•
	534D10-45 SERIAL NO. > 0160037689			•	•	•
	544D10-55 SERIAL NO. > 0160037689			•	•	•
SKYTRAK	6036 SERIAL NO. > 0160037789			•	•	•
	6042 SERIAL NO. > 0160037789			•	•	•
	8042 SERIAL NO. > 0160037799			•	•	•
	10042 SERIAL NO. > 0160037798			•	•	•
	10054 SERIAL NO. > 0160037793			•	•	•
LULL	644E-42 SERIAL NO. > 0160037794			•	•	•
	944E-42 SERIAL NO. > 0160037794			•	•	•
	1044C-54SII SERIAL NO. > 0160037893			•	•	•

* Used with the Universal Quick Coupler

">" Refers to a serial number that is after/greater than the number listed.

NOTE: Use only JLG approved attachments with proper material handler model/attachment load capacity charts displayed in the operator's cab.

Can't find the attachment you are looking for? Contact your JLG Aftermarket Parts representative at 1-877-JLG-LIFT or visit www.jlg.com.



STANDARD CARRIAGE *(continued)*

The standard carriage is manufactured with high quality steel and available in various sizes. This attachment is essential on most job sites, allowing operators to pick and place materials – from pallets of concrete block to loads of lumber.

NOTES:

- Standard up-and-down tilt on horizontal plane
- Multiple fork options
- Previous generation SkyTrak attachments may be used on current production SkyTrak models (proper load charts required)
- Previous generation Lull E-Series attachments may be used on current production Lull E-Series models (proper load charts required)
- New standardized attachments are compatible to older Lull E-Series models (proper load charts required)

NON-CURRENT PRODUCTION STANDARD CARRIAGES

Ordered exclusively through JLG Aftermarket Parts

CARRIAGE SIZE		48 in.	48 in.	48 in.	48 in.	48 in.
PART NO.		6040500	1170028	90455051	91405073	1001107581
FORK PIN NO.		7128772	(2) 4040283	90451058	91401303	1001107336
JLG	G6-42A SERIAL NO. < 0160037721				•	
	G9-43A SERIAL NO. < 0160037670				•	
	G10-55A SERIAL NO. < 0160037689				•	
	G12-55A SERIAL NO. < 0160037688				•	
	G5-19A		•			•
	G6-23A		•			•
	TF6-42				•	
GRADALL	G6-42P SERIAL NO. < 0160037688				•	
	534D9-45 SERIAL NO. < 0160037688			•		
	534D10-45 SERIAL NO. < 0160037688			•		
	544D10-55 SERIAL NO. < 0160037688			•		
	522/524D			•		
	534C9			•		
	534C10			•		
	544C			•		
534D6			•			
SKYTRAK	6036 SERIAL NO. < 0160037788	•				
	6042 SERIAL NO. < 0160037788	•				
	8042 SERIAL NO. < 0160037798	•				
	10042 SERIAL NO. < 0160037797	•				
	10054 SERIAL NO. < 0160037792	•				
	4266	•				
	4270	•				
	4290	•				
5028	•					
LULL	644E-42 SERIAL NO. < 0160037793	•				
	944E-42 SERIAL NO. < 0160037793	•				
	1044C-54SII SERIAL NO. < 0160037892					
	644B-37					
	644B-42					
	844C-42					
	1044C-42					
	1044C-54					
	644D-34					
	6K-37					
6K-42						
8K-42						
10K-42						

* Used with the Universal Quick Coupler
 ">" Refers to a serial number that is after/greater than the number listed.
 NOTE: Use only JLG approved attachments with proper material handler model/attachment load capacity charts displayed in the operator's cab.

Can't find the attachment you are looking for? Contact your JLG Aftermarket Parts representative at 1-877-JLG-LIFT or visit www.jlg.com.

NON-CURRENT PRODUCTION STANDARD CARRIAGES

Ordered exclusively through JLG Aftermarket Parts

CARRIAGE SIZE	50 in.	50 in.	50 in.	50 in.	60 in.	60 in.	60 in.	66 in.	72 in.	72 in.	72 in.	72 in.	74 in.
PART NO.	1170020S	1170019S	7161200	48040	6040600	1170022	1170023S	90455052	91405074	6040700	1170025S	1170026S	48042
FORK PIN NO.	3423275	3423275	90451058	10223049	7128792	3423242	3423242	90402478	91401324	90551013	3423276	3423275	10124495
JLG	G6-42A SERIAL NO. < 0160037721		•				•			•		•	
	G9-43A SERIAL NO. < 0160037670		•				•			•		•	
	G10-55A SERIAL NO. < 0160037689		•				•			•		•	
	G12-55A SERIAL NO. < 0160037688		•				•			•		•	
	G5-19A												
	G6-23A												
	TF6-42		•							•		•	
GRADALL	G6-42P SERIAL NO. < 0160037688		•				•					•	
	534D9-45 SERIAL NO. < 0160037688	•						•	•				•
	534D10-45 SERIAL NO. < 0160037688	•						•	•				•
	544D10-55 SERIAL NO. < 0160037688	•						•	•				•
	522/524D	•						•	•				•
	534C9	•						•	•				•
	534C10	•						•	•				•
	544C	•						•	•				•
	534D6	•						•	•				•
SKYTRAK	6036 SERIAL NO. < 0160037788					•					•		
	6042 SERIAL NO. < 0160037788					•					•		
	8042 SERIAL NO. < 0160037798					•					•		
	10042 SERIAL NO. < 0160037797					•					•		
	10054 SERIAL NO. < 0160037792					•					•		
	4266					•					•		
	4270					•					•		
	4290					•					•		
	5028					•					•		
LULL	644E-42 SERIAL NO. < 0160037793			•		•					•		
	944E-42 SERIAL NO. < 0160037793			•		•					•		
	1044C-54SII SERIAL NO. < 0160037892				•								•
	644B-37				•								•
	644B-42				•								•
	844C-42				•								•
	1044C-42				•								•
	1044C-54				•								•
	644D-34				•								•
	6K-37				•								•
	6K-42				•								•
8K-42				•								•	
10K-42				•								•	

* Used with the Universal Quick Coupler
 ">" Refers to a serial number that is after/greater than the number listed.
 NOTE: Use only JLG approved attachments with proper material handler model/attachment load capacity charts displayed in the operator's cab.

Can't find the attachment you are looking for? Contact your JLG Aftermarket Parts representative at 1-877-JLG-LIFT or visit www.jlg.com.



SIDE-TILT CARRIAGE

Adding to the versatility of the telehandler, the side-tilt carriage keeps the load level even when the terrain isn't. The carriage tilts loads from side-to-side to allow for uneven landing areas like a roof or sloped bank.

NOTES:

- Side-to-side tilt on vertical plane
- Standard up-and-down tilt on horizontal plane
- Previous generation SkyTrak attachments may be used on current production SkyTrak models (proper load charts required)
- Previous generation Lull E-Series attachments may be used on current production Lull E-Series models (proper load charts required)
- New standardized attachments are compatible to older Lull E-Series models (proper load charts required)

CURRENT PRODUCTION SIDE-TILT CARRIAGES

Ordered through JLG Aftermarket Parts or with new machine orders

CARRIAGE SIZE		48 in.	48 in.	48 in.	50 in.	60 in.	72 in.
APPROX. WEIGHT		606 lb	817 lb	660 lb	343 lb	472 lb	677 lb
PART NO.		1170046	1001104008	1001099613	1170054S	1001101956S	1170057S
FORK PIN NO.		(2) 4040283	70022105	70021339	3423275	3423242	3423276
JLG ALL-WHEEL STEER	619A	•					
	723A	•					
	G5-18A		•*	•			
	G6-42A SERIAL NO. > 0160037722				•	•	•
	G9-43A SERIAL NO. > 0160037671				•	•	•
	G10-55A SERIAL NO. > 0160037690				•	•	•
	G12-55A SERIAL NO. > 0160037689				•	•	•
JLG REAR PIVOT STEER	G6-42P SERIAL NO. > 0160037689				•	•	•
	534D9-45 SERIAL NO. > 0160037689				•	•	•
	534D10-45 SERIAL NO. > 0160037689				•	•	•
	544D10-55 SERIAL NO. > 0160037689				•	•	•
SKYTRAK	6036 SERIAL NO. > 0160037789				•	•	•
	6042 SERIAL NO. > 0160037789				•	•	•
	8042 SERIAL NO. > 0160037799				•	•	•
	10042 SERIAL NO. > 0160037798				•	•	•
	10054 SERIAL NO. > 0160037793				•	•	•
LULL	644E-42 SERIAL NO. > 0160037794				•	•	•
	944E-42 SERIAL NO. > 0160037794				•	•	•
	1044C-54SII SERIAL NO. > 0160037893				•	•	•

* Used with the Universal Quick Coupler

* > Refers to a serial number that is after/greater than the number listed.

NOTE: Use only JLG approved attachments with proper material handler model/attachment load capacity charts displayed in the operator's cab.

Can't find the attachment you are looking for? Contact your JLG Aftermarket Parts representative at 1-877-JLG-LIFT or visit www.jlg.com.

NON-CURRENT PRODUCTION SIDE-TILT CARRIAGES

Ordered exclusively through JLG Aftermarket Parts

CARRIAGE SIZE		48 in.	48 in.	48 in.	48 in.	50 in.	50 in.	60 in.	66 in.	72 in.	72 in.	74 in.	74 in.
PART NO.		7134400	91405101	91085058	1170046	7161300	48041	7134500	91305016	7134600	91405079	48043	48003
FORK PIN NO.		7128772	91401303	90451058	(2)4040283	90451058	10223049	7128792	91301083	90551013	91401324	10124495	10116207
JLG	G6-42A SERIAL NO. < 0160037721		•								•		
	G9-43A SERIAL NO. < 0160037670		•								•		
	G10-55A SERIAL NO. < 0160037689		•								•		
	G12-55A SERIAL NO. < 0160037688		•								•		
	G5-19A				•								
	G6-23A				•								
	TF6-42		•								•		
GRADALL	G6-42P SERIAL NO. < 0160037688		•								•		
	534D9-45 SERIAL NO. < 0160037688			•					•				
	534D10-45 SERIAL NO. < 0160037688			•					•				
	544D10-55 SERIAL NO. < 0160037688			•					•				
	522/524D			•					•				
	534C9			•					•				
	534C10			•					•				
	544C			•					•				
	534D6			•					•				
SKYTRAK	6036 SERIAL NO. < 0160037788	•						•		•			
	6042 SERIAL NO. < 0160037788	•						•		•			
	8042 SERIAL NO. < 0160037798	•						•		•			
	10042 SERIAL NO. < 0160037797	•						•		•			
	10054 SERIAL NO. < 0160037792	•						•		•			
	4266	•						•		•			
	4270	•						•		•			
	4290	•						•		•			
	5028	•						•		•			
LULL	644E-42 SERIAL NO. < 0160037793	•				•		•		•			
	944E-42 SERIAL NO. < 0160037793	•				•		•		•			
	1044C-54SII SERIAL NO. < 0160037892						•					•	
	644B-37						•						•
	644B-42						•						•
	844C-42						•						•
	1044C-42						•					•	
	1044C-54						•					•	
644D-34						•						•	

"<" Refers to a serial number that is prior to/less than the number listed.

NOTE: Use only JLG approved attachments with proper material handler model/attachment load capacity charts displayed in the operator's cab.

Can't find the attachment you are looking for? Contact your JLG Aftermarket Parts representative at 1-877-JLG-LIFT or visit www.jlg.com.



SIDE-SHIFT CARRIAGE

The side-shift carriage moves the load left or right for precise placement.

NOTES:

- Standard up-and-down tilt on horizontal plane
- Left and right side-shift

CURRENT PRODUCTION SIDE-SHIFT CARRIAGES

Ordered through JLG Aftermarket Parts or with new machine orders

CARRIAGE SIZE		48 in.	50 in.
APPROX. WEIGHT		768 lb	905 lb
PART NO.		1001104022	1170002
FORK PIN NO.		70022105	7028136
JLG ALL-WHEEL STEER	619A		•
	723A		•
	G5-18A	•*	

NON-CURRENT PRODUCTION SIDE-SHIFT CARRIAGES

Ordered exclusively through JLG Aftermarket Parts

CARRIAGE SIZE		50 in.
PART NO.		1170002
FORK PIN NO.		7028136
JLG	G5-19A	•
	G6-23A	•

* Used with the Universal Quick Coupler

NOTE: Use only JLG approved attachments with proper material handler model/attachment load capacity charts displayed in the operator's cab.

Can't find the attachment you are looking for? Contact your JLG Aftermarket Parts representative at 1-877-JLG-LIFT or visit www.jlg.com.



NOTES:

- Right and left 90° swing option
- Right and left 180° swing option
- Standard up-and-down tilt on horizontal plane
- Previous generation SkyTrak attachments may be used on current production SkyTrak models (proper load charts required)
- Previous generation Lull E-Series attachments may be used on current production Lull E-Series models (proper load charts required)
- New standardized attachments are compatible to older Lull E-Series models (proper load charts required)

SWING CARRIAGE

The swing carriage permits the operator to maneuver loads through openings and tight spaces like windows or scaffolding by swinging the carriage to the right or left.

CURRENT PRODUCTION SWING CARRIAGES

Ordered through JLG Aftermarket Parts or with new machine orders

CARRIAGE SIZE	72 in.	72 in.
APPROX. WEIGHT	1,154 lb	1,868 lb
CARRIAGE SWING	90°	180°
PART NO.	1001095418S	1001104992
FORK PIN NO.	3423276	70020027
JLG ALL-WHEEL STEER	G6-42A SERIAL NO. > 0160037722	•
	G9-43A SERIAL NO. > 0160037671	•
	G10-55A SERIAL NO. > 0160037690	•
	G12-55A SERIAL NO. > 0160037689	•
JLG REAR PIVOT STEER	G6-42P SERIAL NO. > 0160037689	•
	534D9-45 SERIAL NO. > 0160037689	•
	534D10-45 SERIAL NO. > 0160037689	•
	544D10-55 SERIAL NO. > 0160037689	•
SKYTRAK	6036 SERIAL NO. > 0160037789	•
	6042 SERIAL NO. > 0160037789	•
	8042 SERIAL NO. > 0160037799	•
	10042 SERIAL NO. > 0160037798	•
	10054 SERIAL NO. > 0160037793	•
LULL	644E-42 SERIAL NO. > 0160037794	•
	944E-42 SERIAL NO. > 0160037794	•
	1044C-54SII SERIAL NO. > 0160037893	•

NON-CURRENT PRODUCTION SWING CARRIAGES

Ordered exclusively through JLG Aftermarket Parts

CARRIAGE SIZE	52 in.	72 in.	72 in.	72 in.	72 in.	72 in.	72 in.
CARRIAGE SWING	90°	90°	45°	100°	100°	180°	180°
PART NO.	7125900	7125800	1100532	90455044	91405075	91553076	91563146
FORK PIN NO.	7128782	90551013	7029710	90551013	91401324	91144205	70020027
JLG	G6-42A SERIAL NO. < 0160037721				•		
	G9-43A SERIAL NO. < 0160037670				•		
	G10-55A SERIAL NO. < 0160037689				•		•
	G12-55A SERIAL NO. < 0160037688				•		•
	TF6-42				•		
GRADALL	G6-42P SERIAL NO. < 0160037688				•		
	534D9-45 SERIAL NO. < 0160037688				•		
	534D10-45 SERIAL NO. < 0160037688				•		•
	544D10-55 SERIAL NO. < 0160037688				•		•
	522/524D				•		
	534C9				•		
	534C10				•		
SKYTRAK	544C				•		
	534D6				•		
	6036 SERIAL NO. < 0160037788	•	•				
	6042 SERIAL NO. < 0160037788	•	•				
	8042 SERIAL NO. < 0160037798	•	•				
LULL	10042 SERIAL NO. < 0160037797	•	•				
	10054 SERIAL NO. < 0160037792	•	•				
	4266	•	•				
	4270	•	•				
	4290	•	•				
	5028	•	•				
LULL	644E-42 SERIAL NO. < 0160037793	•	•				
	944E-42 SERIAL NO. < 0160037793	•	•				
	1044C-54SII SERIAL NO. < 0160037892			•			

"<" Refers to a serial number that is prior to/less than the number listed.
 ">" Refers to a serial number that is after/greater than the number listed.

NOTE: Use only JLG approved attachments with proper material handler model/attachment load capacity charts displayed in the operator's cab.

Can't find the attachment you are looking for? Contact your JLG Aftermarket Parts representative at 1-877-JLG-LIFT or visit www.jlg.com.



MATERIAL BUCKET

Use the material bucket to scoop and carry loose material and debris like gravel or dirt. The material bucket can also be used for clean up around the job site.

NOTES:

- Bucket teeth, Part No. 1001094612, available in kits* (Available for 0930008, 0930009, 0930015 and 0930016)
- Previous generation SkyTrak attachments may be used on current production SkyTrak models (proper load charts required)
- Previous generation Lull E-Series attachments may be used on current production Lull E-Series models (proper load charts required)
- New standardized attachments are compatible to older Lull E-Series models (proper load charts required)

CURRENT PRODUCTION MATERIAL BUCKET

Ordered through JLG Aftermarket Parts or with new machine orders

BUCKET SIZE		72 in.	73 in.	72 in.	83 in.	83 in.	96 in.	96 in.	96 in.	102 in.
CAPACITY		1.7 cu. yd.	1 cu. yd.	1 cu. yd.	1.05 cu. yd.	1.96 cu. yd.	1.18 cu. yd.	2.35 cu. yd.	1.5 cu. yd.	2 cu. yd.
APPROX. WEIGHT		838 lb	710 lb	733 lb	639 lb	940 lb	712 lb	1,041 lb	899 lb	1,089 lb
PART NO.		1001099614	1001099615	1001100822	0930008*	0930009*	0930015*	0930016*	1001100823	1001100824
JLG ALL-WHEEL STEER	619A				•	•	•	•		
	723A						•	•		
	G5-18A	•	•							
	G6-42A SERIAL NO. > 0160037722			•					•	•
	G9-43A SERIAL NO. > 0160037671			•					•	•
	G10-55A SERIAL NO. > 0160037690			•					•	•
	G12-55A SERIAL NO. > 0160037689			•					•	•
JLG REAR PIVOT STEER	G6-42P SERIAL NO. > 0160037689			•					•	•
	534D9-45 SERIAL NO. > 0160037689			•					•	•
	534D10-45 SERIAL NO. > 0160037689			•					•	•
	544D10-55 SERIAL NO. > 0160037689			•					•	•
SKYTRAK	6036 SERIAL NO. > 0160037789			•					•	•
	6042 SERIAL NO. > 0160037789			•					•	•
	8042 SERIAL NO. > 0160037799			•					•	•
	10042 SERIAL NO. > 0160037798			•					•	•
	10054 SERIAL NO. > 0160037793			•					•	•
LULL	644E-42 SERIAL NO. > 0160037794			•					•	•
	944E-42 SERIAL NO. > 0160037794			•					•	•
	1044C-54SII SERIAL NO. > 0160037893			•					•	•

*">" Refers to a serial number that is after/greater than the number listed.

NOTE: Use only JLG approved attachments with proper material handler model/attachment load capacity charts displayed in the operator's cab.

Can't find the attachment you are looking for? Contact your JLG Aftermarket Parts representative at 1-877-JLG-LIFT or visit www.jlg.com.

NON-CURRENT PRODUCTION MATERIAL BUCKET

Ordered exclusively through JLG Aftermarket Parts

BUCKET SIZE		60 in.	60 in.	74 in.	74 in.	83 in.	83 in.	96 in.	96 in.	96 in.	96 in.	102 in.
CAPACITY		.75 cu. yd.	.75 cu. yd.	1.25 cu. yd.	1.25 cu. yd.	1.05 cu. yd.	1.96 cu. yd.	1.18 cu. yd.	2.35 cu. yd.	1.25 cu. yd.	1.25 cu. yd.	1.25 cu. yd.
PART NO.		90455049	91405054	90555020	91405055	0930008	0930009	0930015	0930016	7110744	1101435	91405071
JLG	G6-42A SERIAL NO. < 0160037721		•		•							•
	G9-43A SERIAL NO. < 0160037670		•		•							•
	G10-55A SERIAL NO. < 0160037689		•		•							•
	G12-55A SERIAL NO. < 0160037688		•		•							•
	G5-19A					•	•					
	G6-23A							•	•			
	TF6-42		•		•							•
GRADALL	G6-42P SERIAL NO. < 0160037688		•		•							•
	534D9-45 SERIAL NO. < 0160037688	•		•								
	534D10-45 SERIAL NO. < 0160037688	•		•								
	544D10-55 SERIAL NO. < 0160037688	•		•								
	522/524D	•		•								
	534C9	•		•								
	534C10	•		•								
	544C	•		•								
534D6	•		•									
SKYTRAK	6036 SERIAL NO. < 0160037788									•		
	6042 SERIAL NO. < 0160037788									•		
	8042 SERIAL NO. < 0160037798									•		
	10042 SERIAL NO. < 0160037797									•		
	10054 SERIAL NO. < 0160037792									•		
	4266									•		
	4270									•		
	4290									•		
5028									•			
LULL	644E-42 SERIAL NO. < 0160037793									•		
	944E-42 SERIAL NO. < 0160037793									•		
	1044C-54SII SERIAL NO. < 0160037892										•	
	644B-37										•	
	644B-42										•	
	844C-42										•	
	1044C-42										•	
	1044C-54										•	
	644D-34										•	
	6K-37										•	
	6K-42										•	
8K-42										•		
10K-42										•		

"<" Refers to a serial number that is prior to/less than the number listed.

NOTE: Use only JLG approved attachments with proper material handler model/attachment load capacity charts displayed in the operator's cab.

Can't find the attachment you are looking for? Contact your JLG Aftermarket Parts representative at 1-877-JLG-LIFT or visit www.jlg.com.



GRAPPLE BUCKET

The grapple bucket uses hydraulic arms to secure bulky loads and materials. This feature is useful when cleaning up natural disaster sites and day-to-day job site scraps.

CURRENT PRODUCTION GRAPPLE BUCKET

Ordered through JLG Aftermarket Parts or with new machine orders

BUCKET SIZE		72 in.	83 in.	96 in.	96 in.
CAPACITY		1 cu. yd.	1.96 cu. yd.	2.35 cu. yd.	1.75 cu. yd.
APPROX. WEIGHT		1,096 lb	1,403 lb	1,554 lb	1,740 lb
PART NO.		1001099831	0930005	0930004	0930020
JLG ALL-WHEEL STEER	619A		•		
	723A			•	
	G5-18A	•			
	G6-42A SERIAL NO. > 0160037722				•
	G9-43A SERIAL NO. > 0160037671				•
	G10-55A SERIAL NO. > 0160037690				•
	G12-55A SERIAL NO. > 0160037689				•
JLG REAR PIVOT STEER	G6-42P SERIAL NO. > 0160037689				•
	534D9-45 SERIAL NO. > 0160037689				•
	534D10-45 SERIAL NO. > 0160037689				•
	544D10-55 SERIAL NO. > 0160037689				•
SKYTRAK	6036 SERIAL NO. > 0160037789				•
	6042 SERIAL NO. > 0160037789				•
	8042 SERIAL NO. > 0160037799				•
	10042 SERIAL NO. > 0160037798				•
	10054 SERIAL NO. > 0160037793				•
	644E-42 SERIAL NO. > 0160037794				•
LULL	944E-42 SERIAL NO. > 0160037794				•
	1044C-54SII SERIAL NO. > 0160037893				•

NOTES:

- Independent grapple arms require auxiliary hydraulics (except 619A, 723A, G5-19A or G6-23A)
- New standardized attachments are compatible to older Lull E-Series models (proper load charts required)

NON-CURRENT PRODUCTION GRAPPLE BUCKET

Ordered exclusively through JLG Aftermarket Parts

BUCKET SIZE		83 in.	96 in.	96 in.
CAPACITY		1.96 cu. yd.	1.75 cu. yd.	2.35 cu. yd.
PART NO.		0930005	0930021S†	0930004
JLG	G6-42A SERIAL NO. < 0160037721		•	
	G9-43A SERIAL NO. < 0160037670		•	
	G10-55A SERIAL NO. < 0160037689		•	
	G12-55A SERIAL NO. < 0160037688		•	
	G5-19A	•		
	G6-23A			•

† Includes load charts.

">" Refers to a serial number that is after/greater than the number listed.
"<" Refers to a serial number that is prior/less than the number listed.

NOTE: Use only JLG approved attachments with proper material handler model/attachment load capacity charts displayed in the operator's cab.

Can't find the attachment you are looking for? Contact your JLG Aftermarket Parts representative at 1-877-JLG-LIFT or visit www.jlg.com.



4-IN-1 BUCKET

This bucket saves you time and money. The 4-in-1 bucket can be used for loading, leveling, bottom dumping, or as a grapple bucket.

CURRENT PRODUCTION 4-IN-1 BUCKET

Ordered through JLG Aftermarket Parts or with new machine orders

BUCKET SIZE		81 in.	96 in.
CAPACITY		.78 cu. yd.	1.3 cu. yd.
APPROX. WEIGHT		1,503 lb	1,806 lb
PART NO.		0930006	0930003
JLG ALL-WHEEL STEER	619A	•	•
	723A		•

NON-CURRENT PRODUCTION 4-IN-1 BUCKET

Ordered exclusively through JLG Aftermarket Parts

BUCKET SIZE		81 in.	96 in.
CAPACITY		.78 cu. yd.	1.3 cu. yd.
APPROX. WEIGHT		1,503 lb	1,806 lb
PART NO.		0930006	0930003
JLG	G5-19A	•	•
	G6-23A		•

NOTE: Use only JLG approved attachments with proper material handler model/attachment load capacity charts displayed in the operator's cab.

Can't find the attachment you are looking for? Contact your JLG Aftermarket Parts representative at 1-877-JLG-LIFT or visit www.jlg.com.



TRUSS BOOM

When lifting and lowering roof trusses, framing walls or steel beams into place use the truss boom; available with or without a winch.

NOTES:

- Truss boom with winch feature requires auxiliary hydraulics
- Previous generation SkyTrak attachments may be used on current production SkyTrak models (proper load charts required)
- Previous generation Lull E-Series attachments may be used on current production Lull E-Series model (proper load charts required)
- New standardized attachments are compatible to older Lull E-Series models (proper load charts required)

CURRENT PRODUCTION TRUSS BOOM

Ordered through JLG Aftermarket Parts or with new machine orders

LENGTH		11.75 ft.	12 ft.	15 ft.	12 ft. w/ winch
CAPACITY		1,400 lb	2,000 lb	2,000 lb	2,000 lb
PART NO.		0240110	1001099902S	1001099901S	1001099351
JLG ALL-WHEEL STEER	619A	•			
	723A	•			
	G6-42A SERIAL NO. > 0160037722		•	•	•
	G9-43A SERIAL NO. > 0160037671		•	•	•
	G10-55A SERIAL NO. > 0160037690		•	•	•
	G12-55A SERIAL NO. > 0160037689		•	•	•
JLG REAR PIVOT STEER	G6-42P SERIAL NO. > 0160037689		•	•	•
	534D9-45 SERIAL NO. > 0160037689		•	•	•
	534D10-45 SERIAL NO. > 0160037689		•	•	•
	544D10-55 SERIAL NO. > 0160037689		•	•	•
SKYTRAK	6036 SERIAL NO. > 0160037789		•	•	•
	6042 SERIAL NO. > 0190037789		•	•	•
	8042 SERIAL NO. > 0160037799		•	•	•
	10042 SERIAL NO. > 0160037798		•	•	•
	10054 SERIAL NO. > 0160037793		•	•	•
LULL	644E-42 SERIAL NO. > 0160037794		•	•	•
	944E-42 SERIAL NO. > 0160037794		•	•	•
	1044C-54SII SERIAL NO. > 0160037893		•	•	•

">" Refers to a serial number that is after/greater than the number listed.

NOTE: Use only JLG approved attachments with proper material handler model/attachment load capacity charts displayed in the operator's cab.

Can't find the attachment you are looking for? Contact your JLG Aftermarket Parts representative at 1-877-JLG-LIFT or visit www.jlg.com.

NON-CURRENT PRODUCTION TRUSS BOOM

Ordered exclusively through JLG Aftermarket Parts

LENGTH	3 ft.	10 ft.	10 ft.	10 ft.	10 ft.	10 ft.	10 ft.	10 ft.	10 ft.	10 ft.	11.75 ft.	12 ft.	15 ft.	15 ft.	15 ft.
WINCH	Yes	No	No	No	No	Yes	Yes	Yes	Yes	Yes	No	No	No	No	Yes
PART NO.	7139608S	7301178	10338932	90455011	91405083	7301179	10338933	90455012	91405081	0240110	7119700	7119800	91405082	91405080	
JLG	G6-42A SERIAL NO. < 0160037721				•				•				•	•	
	G9-43A SERIAL NO. < 0160037670				•				•				•	•	
	G10-55A SERIAL NO. < 0160037689				•				•				•	•	
	G12-55A SERIAL NO. < 0160037688				•				•				•	•	
	G5-19A									•					
	G6-23A									•					
	TF6-42				•				•				•	•	
GRADALL	G6-42P SERIAL NO. < 0160037688				•				•				•	•	
	534D9-45 SERIAL NO. < 0160037688				•			•							
	534D10-45 SERIAL NO. < 0160037688				•			•							
	544D10-55 SERIAL NO. < 0160037688				•			•							
	522/524D				•			•							
	534C9				•			•							
	534C10				•			•							
	544C				•			•							
	534D6				•			•							
SKYTRAK	6036 SERIAL NO. < 0160037788	•										•			
	6042 SERIAL NO. < 0160037788	•										•			
	8042 SERIAL NO. < 0160037798	•										•			
	10042 SERIAL NO. < 0160037797	•										•	•		
	10054 SERIAL NO. < 0160037792	•										•	•		
	4266											•			
	4270											•			
	4290											•			
	5028											•			
LULL	644E-42 SERIAL NO. < 0160037793	•	•			•									
	944E-42 SERIAL NO. < 0160037793	•	•			•									
	1044C-54SII SERIAL NO. < 0160037892				•			•							
	644B-37				•			•							
	644B-42				•			•							
	844C-42				•			•							
	1044C-42				•			•							
	1044C-54				•			•							
	644D-34				•			•							
	6K-37				•			•							
	6K-42				•			•							
	8K-42				•			•							
	10K-42				•			•							

"<" Refers to a serial number that is prior to/lesser than the number listed.

NOTE: Use only JLG approved attachments with proper material handler model/attachment load capacity charts displayed in the operator's cab.

Can't find the attachment you are looking for? Contact your JLG Aftermarket Parts representative at 1-877-JLG-LIFT or visit www.jlg.com.



TOWER

The tower attachment increases mobility and efficiency on the job site. It allows the operator to move materials to a higher row of scaffolding by extending the vertical reach without any additional boom extension.

CURRENT PRODUCTION TOWER

Ordered through JLG Aftermarket Parts or with new machine orders

TOWER LENGTH		8 ft.	8 ft.	8 ft.
CARRIAGE TYPE		Standard	Side-Tilt	Side-Tilt
CARRIAGE LENGTH		50 in.	50 in.	50 in.
CAPACITY		4,500 lb	4,500 lb	4,500 lb
PART NO.		1001108668	1001108669	1001108670
FORK PIN NO.		70022900	70022990	70022990
JLG ALL-WHEEL STEER	G6-42A SERIAL NO. > 0160037722	•	•	
	G9-43A SERIAL NO. > 0160037671	•	•	
	G10-55A SERIAL NO. > 0160037690	•	•	
	G12-55A SERIAL NO. > 0160037689	•	•	
JLG REAR PIVOT STEER	G6-42P SERIAL NO. > 0160037689	•	•	
	534D9-45 SERIAL NO. > 0160037689	•	•	
	534D10-45 SERIAL NO. > 0160037689	•	•	
	544D10-55 SERIAL NO. > 0160037689	•	•	
SKYTRAK	6036 SERIAL NO. > 0160037789	•		
	6042 SERIAL NO. > 0160037789	•		
	8042 SERIAL NO. > 0160037799	•		
	10042 SERIAL NO. > 0160037798	•		
	10054 SERIAL NO. > 0160037793	•		
LULL	644E-42 SERIAL NO. > 0160037794	•		
	944E-42 SERIAL NO. > 0160037794	•		
	1044C-54SII SERIAL NO. > 0160037893	•		•

">" Refers to a serial number that is after/greater than the number listed.
NOTE: Use only JLG approved attachments with proper material handler model/attachment load capacity charts displayed in the operator's cab.

Can't find the attachment you are looking for? Contact your JLG Aftermarket Parts representative at 1-877-JLG-LIFT or visit www.jlg.com.

NOTES:

- Standard tower requires auxiliary hydraulics
- Available with side-tilt carriage
 - + JLG Models equipped with tower w/ side-tilt carriage requires auxiliary electrics
 - + Lull Model 1044C-54SII equipped with tower w/ side-tilt carriage requires second auxiliary circuit
- New standardized attachments are compatible to older Lull E-Series models (proper load charts required)

NON-CURRENT PRODUCTION TOWER

Ordered exclusively through JLG Aftermarket Parts

TOWER LENGTH	6 ft.	6 ft.	6 ft.	6 ft.	6 ft.	6 ft.	6 ft.	6 ft.	8 ft.	8 ft.
CARRIAGE TYPE	Standard	Standard	Swing	Swing	Standard	Standard	Swing	Swing	Standard	Side-Tilt
CARRIAGE LENGTH	48 in.	72 in.	72 in.	72 in.	48 in.	66 in.	66 in.	66 in.	50 in.	50 in.
FORK LENGTH			48 in.	60 in.			48 in.	60 in.		
PART NO.	91405060	91405061	91405070	91415026	90455035	90455037	90455047	90455054	48056	48057
FORK PIN NO.	70020385	70020388	N/A	N/A	91034410	91034432	N/A	N/A	10138064	10138064
JLG	G6-42A SERIAL NO. < 0160037721	•	•	•						
	G9-43A SERIAL NO. < 0160037670	•	•	•	•					
	G10-55A SERIAL NO. < 0160037689	•	•	•	•					
	G12-55A SERIAL NO. < 0160037688	•	•	•	•					
	TF6-42	•	•	•						
GRADALL	G6-42P SERIAL NO. < 0160037688	•	•	•						
	534D9-45 SERIAL NO. < 0160037688					•	•	•	•	
	534D10-45 SERIAL NO. < 0160037688					•	•	•	•	
	544D10-55 SERIAL NO. < 0160037688					•	•	•	•	
	522/524D					•	•			
	534C9					•	•	•		
	534C10					•	•	•		
	544C					•	•	•		
534D6					•	•	•			
LULL	1044C-54SII SERIAL NO. < 0160037892								•	•
	1044C-54								•	•

"<" Refers to a serial number that is prior to/lesser than the number listed.

NOTE: Use only JLG approved attachments with proper material handler model/attachment load capacity charts displayed in the operator's cab.

Can't find the attachment you are looking for? Contact your JLG Aftermarket Parts representative at 1-877-JLG-LIFT or visit www.jlg.com.



FORK MOUNTED WORK PLATFORM

Simply slide the forks into the work platform pockets, secure the locking pin and begin lifting materials and people to working heights.

NOTES:

- Only for use with 48 in. pallet forks
- Removable front rail
- 4 ft. x 8 ft. platform
- The only approved fork mounted platform for JLG telehandlers
- Side entry platform
- 3 lanyard attach points
- ANSI approved
- Fork pocket dimensions 2.5 in. x 5.5 in. x 48 in.

CURRENT AND NON-CURRENT PRODUCTION FORK MOUNTED WORK PLATFORM

Ordered exclusively through JLG Aftermarket Parts or with new machine orders

	VERSION	English	French	ISO*
	PART NO.	1001103637S	1001103736S	1001103730S
JLG ALL-WHEEL STEER	619A	•	•	•
	723A	•	•	•
	G6-42A	•	•	•
	G9-43A	•	•	•
	G10-55A	•	•	•
	G12-55A	•	•	•
	G5-19A	•	•	•
	G6-23A	•	•	•
	TF6-42	•	•	•
JLG REAR PIVOT STEER/GRADALL	G6-42P	•	•	•
	534D9-45	•	•	•
	534D10-45	•	•	•
	544D10-55	•	•	•
	522/524D	•	•	•
	534C9	•	•	•
	534C10	•	•	•
	544C	•	•	•
	534D6	•	•	•

	VERSION	English	French	ISO*
	PART NO.	1001103637S	1001103736S	1001103730S
SKYTRAK	6036	•	•	•
	6042	•	•	•
	8042	•	•	•
	10042	•	•	•
	10054	•	•	•
	4266	•	•	•
	4270	•	•	•
	4290	•	•	•
	5028	•	•	•
LULL	644E-42	•	•	•
	944E-42	•	•	•
	1044C-54SII	•	•	•
	644B-37	•	•	•
	644B-42	•	•	•
	844C-42	•	•	•
	1044C-42	•	•	•
	1044C-54	•	•	•
	644D-34	•	•	•

* Spanish and Portuguese manuals include pictorial decals.

NOTE: Use only JLG approved attachments with proper material handler model/attachment load capacity charts displayed in the operator's cab.

Can't find the attachment you are looking for? Contact your JLG Aftermarket Parts representative at 1-877-JLG-LIFT or visit www.jlg.com.



PERSONNEL WORK PLATFORM

The personnel quick attach work platform provides the operator with more options. Lifting materials and people saves time and money.

NOTES:

- 8 ft. platform
- Controlled from operator cab
- Coupler mounted
- ANSI approved
- 6 lanyard attach points
- Side entry
- 2,000 lb capacity

NON-CURRENT PRODUCTION PERSONNEL WORK PLATFORM

Ordered exclusively through JLG Aftermarket Parts

LENGTH		8 ft. (quick attach)	8 ft. (quick attach)
PART NO.		91415025S	90555024S
JLG	G6-42A SERIAL NO. < 0160037721	•	
	G9-43A SERIAL NO. < 0160037670	•	
	G10-55A SERIAL NO. < 0160037689	•	
	G12-55A SERIAL NO. < 0160037688	•	
	TF6-42	•	
GRADALL	G6-42P SERIAL NO. < 0160037688	•	
	534D9-45 SERIAL NO. < 0160037688		•
	534D10-45 SERIAL NO. < 0160037688		•
	544D10-55 SERIAL NO. < 0160037688		•

*< refers to a serial number that is prior to/less than the number listed.
NOTE: Use only JLG approved attachments with proper material handler model/attachment load capacity charts displayed in the operator's cab.

Can't find the attachment you are looking for? Contact your JLG Aftermarket Parts representative at 1-877-JLG-LIFT or visit www.jlg.com.



FORK MOUNTED LIFTING HOOK

The lifting hook provides the operator with the ability to lift and lower suspended loads without removing the carriage.

NOTES:

- Fork mounted lifting hook
- Not for use with cubing or block forks
- Used with forks smaller than 2.25 in. x 7 in.

CURRENT AND NON-CURRENT PRODUCTION FORK MOUNTED LIFTING HOOK

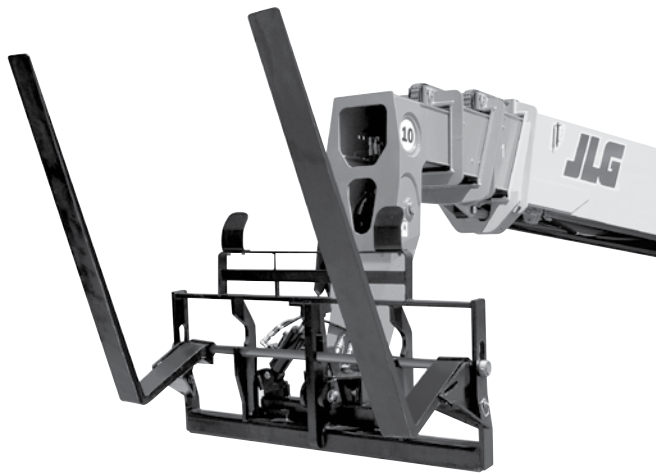
Ordered exclusively through JLG Aftermarket Parts

LIFTING CAPACITY		8,000 lb	12,000 lb
PART NO.		2700118	91565094
JLG ALL-WHEEL STEER	619A	•	
	723A	•	
	G5-18A		•
	G6-42A		•
	G9-43A		•
	G10-55A		•
	G12-55A		•
	G5-19A	•	
	G6-23A	•	
	JLG REAR PIVOT STEER/GRADALL	G6-42P	
534D9-45			•
534D10-45			•
544D10-55			•
522/524D			•
534C9			•
534C10			•
544C			•
534D6			•

LIFTING CAPACITY		12,000 lb
PART NO.		91565094
SKYTRAK	6036	•
	6042	•
	8042	•
	10042	•
	10054	•
	4266	•
	4270	•
	4290	•
	5028	•
	LULL	644E-42
944E-42		•
1044C-54SII		•
644B-37		•
644B-42		•
844C-42		•
1044C-42		•
1044C-54		•
644D-34	•	

NOTE: Use only JLG approved attachments with proper material handler model/attachment load capacity charts displayed in the operator's cab.

Can't find the attachment you are looking for? Contact your JLG Aftermarket Parts representative at 1-877-JLG-LIFT or visit www.jlg.com.



NOTES:

- May be used with standard, side-tilt, or swing carriage
- May be used with pallet or lumber forks
- Previous generation SkyTrak attachments may be used on current production SkyTrak models (proper load charts required)
- Previous generation Lull E-Series attachments may be used on current production Lull E-Series model (proper load charts required)
- New standardized attachments are compatible to older Lull E-Series models (proper load charts required)

SHEET MATERIAL ADAPTER

The sheet material adapter is ideal for carrying large, flat materials such as drywall, steel plates, or plywood, limiting damage during transport.

CURRENT PRODUCTION SHEET MATERIAL ADAPTER

Ordered through JLG Aftermarket Parts or with new machine orders

	PART NO.	1001100227
JLG ALL-WHEEL STEER	G6-42A SERIAL NO. > 0160037722	•
	G9-43A SERIAL NO. > 0160037671	•
	G10-55A SERIAL NO. > 0160037690	•
	G12-55A SERIAL NO. > 0160037689	•
	G6-42P SERIAL NO. > 0160037689	•
JLG REAR PIVOT STEER	534D9-45 SERIAL NO. > 0160037689	•
	534D10-45 SERIAL NO. > 0160037689	•
	544D10-55 SERIAL NO. > 0160037689	•
SKYTRAK	6036 SERIAL NO. > 0160037789	•
	6042 SERIAL NO. > 0160037789	•
	8042 SERIAL NO. > 0160037799	•
	10042 SERIAL NO. > 0160037798	•
	10054 SERIAL NO. > 0160037793	•
LULL	644E-42 SERIAL NO. > 0160037794	•
	944E-42 SERIAL NO. > 0160037794	•
	1044C-54SII SERIAL NO. > 0160037893	•

NON-CURRENT PRODUCTION SHEET MATERIAL ADAPTER

Ordered exclusively through JLG Aftermarket Parts

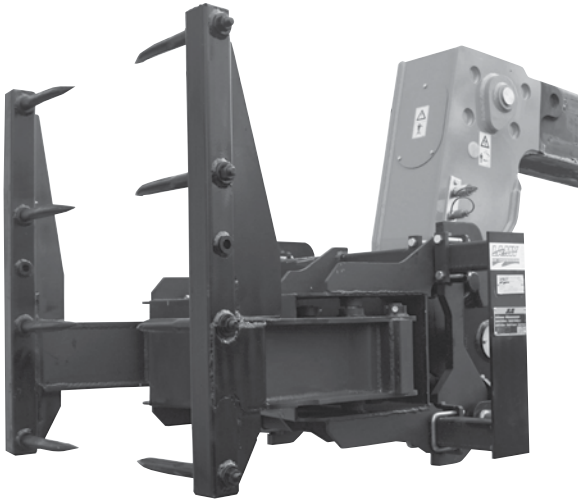
CARRIAGE SIZE		72 in.	72 in.	72 in.	72 in.
TYPE		Swing	Swing	Swing	Standard
PART NO.		7129300S	90555013	91405078	91405077
JLG	G6-42A SERIAL NO. < 0160037721			•	•
	G9-43A SERIAL NO. < 0160037670			•	•
	G10-55A SERIAL NO. < 0160037689			•	•
	G12-55A SERIAL NO. < 0160037688			•	•
	TF6-42			•	•
GRADALL	G6-42P SERIAL NO. < 0160037688			•	•
	534D10-45 SERIAL NO. < 0160037688		•		
	544D10-55 SERIAL NO. < 0160037688		•		
SKYTRAK	6036 SERIAL NO. < 0160037788	•			
	6042 SERIAL NO. < 0160037788	•			
	8042 SERIAL NO. < 0160037798	•			
	10042 SERIAL NO. < 0160037797	•			
	10054 SERIAL NO. < 0160037792	•			
	4266	•			
	4270	•			
	4290	•			
	5028	•			
LULL	644E-42 SERIAL NO. < 0160037793	•			
	944E-42 SERIAL NO. < 0160037793	•			

">" Refers to a serial number that is after/greater than the number listed.

"<" Refers to a serial number that is prior to/lesser than the number listed.

NOTE: Use only JLG approved attachments with proper material handler model/attachment load capacity charts displayed in the operator's cab.

Can't find the attachment you are looking for? Contact your JLG Aftermarket Parts representative at 1-877-JLG-LIFT or visit www.jlg.com.



BALE CLAMP

The bale clamp attachment is used in the agriculture industry, making it easy to maneuver hay or straw bales. The bale clamps can grab hay bales that are approximately 79 inches in diameter.

NOTES:

- Spike-style bale clamp available (picture shown)
- Tube-style bale clamp available
- Conversion kits available

CURRENT PRODUCTION BALE CLAMP

Ordered through JLG Aftermarket Parts or with new machine orders

STYLE		Tube	Spike
PART NO.		0240117	0240118
JLG ALL-WHEEL STEER	619A	•	•
	723A	•	•

CURRENT PRODUCTION BALE CLAMP CONVERSION KIT

Ordered through JLG Aftermarket Parts or with new machine orders

STYLE		Tube	Spike
PART NO.		2902440	2902441
JLG ALL-WHEEL STEER	619A	•	•
	723A	•	•

NOTE: Use only JLG approved attachments with proper material handler model/attachment load capacity charts displayed in the operator's cab.

Can't find the attachment you are looking for? Contact your JLG Aftermarket Parts representative at 1-877-JLG-LIFT or visit www.jlg.com.



ROUND FORK TINES

The round fork tines allow for stability of the hay bale while maneuvering around objects.

CURRENT PRODUCTION ROUND FORK TINES

Ordered through JLG Aftermarket Parts or with new machine orders

PART NO.		2340035
JLG ALL-WHEEL STEER	619A	•
	723A	•

NOTES:

- A work range of 4 ft.

UNIVERSAL SKID STEER ADAPTER

Increase your JLG compact telehandler machine's versatility with the universal skid steer adapter. This adapter is compatible with many existing skid steer attachments.



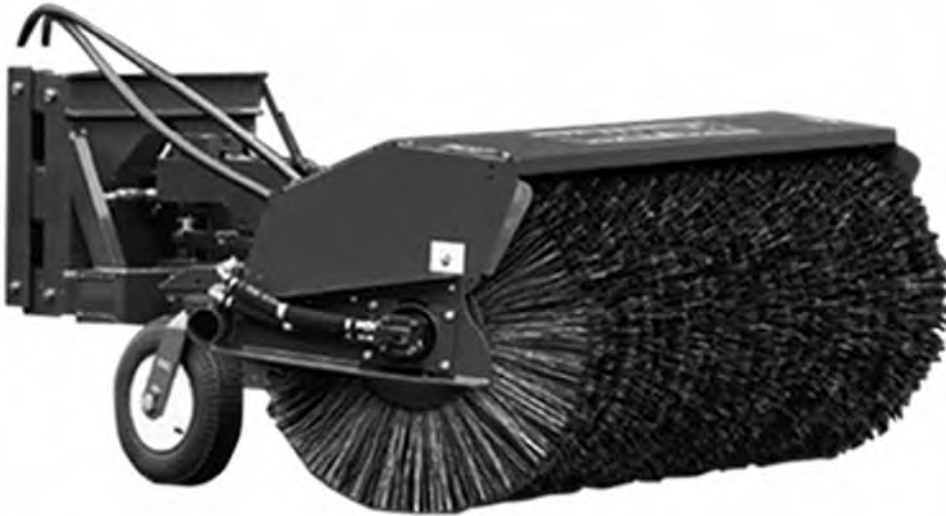
CURRENT PRODUCTION AND NON-CURRENT PRODUCTION UNIVERSAL SKID STEER ADAPTER

Ordered through JLG Aftermarket Parts or with new machine orders

PART NO.		1001099425
JLG ALL-WHEEL STEER	619A	•
	723A	•
	G5-18A	•
	G5-19A	•
	G6-23A	•

NOTE: Use only JLG approved attachments with proper material handler model/attachment load capacity charts displayed in the operator's cab.

Can't find the attachment you are looking for? Contact your JLG Aftermarket Parts representative at 1-877-JLG-LIFT or visit www.jlg.com.



SWEEPER

The sweeper is a specialty attachment that can increase productivity on the job site. The sweeper has a rotating broom that brushes debris out of its path, collecting it in the bucket.

NON-CURRENT PRODUCTION SWEEPER ASSEMBLY

Ordered exclusively through JLG Aftermarket Parts

PART NO.		7301180S	10366976S
SKYTRAK	6036 SERIAL NO. > 0160037788	•	
	6042 SERIAL NO. > 0160037788	•	
	8042 SERIAL NO. > 0160037798	•	
	10042 SERIAL NO. > 0160037797	•	
	10054 SERIAL NO. > 0160037792	•	
LULL	644E-42 SERIAL NO. > 0160037793	•	
	944E-42 SERIAL NO. > 0160037793	•	
	1044C-54SII SERIAL NO. > 0160037892		•

">" Refers to a serial number that is after/greater than the number listed.
NOTE: Use only JLG approved attachments with proper material handler model/attachment load capacity charts displayed in the operator's cab.

Can't find the attachment you are looking for? Contact your JLG Aftermarket Parts representative at 1-877-JLG-LIFT or visit www.jlg.com.



AUGER

An auger expands the functionality of a telehandler. Not only can it go up in the air but also down into the ground. With various auger bit sizes available, the operator can be precise in choosing one to best fit the task at hand.

NON-CURRENT PRODUCTION AUGER

Ordered exclusively through JLG Aftermarket Parts

DIAMETER		6 in.	9 in.	12 in.	15 in.	18 in.	20 in.	24 in.	8 in.	12 in.	16 in.	18 in.
DEPTH		50 in.	50 in.	50 in.	50 in.	50 in.	50 in.	50 in.	60 in.	60 in.	60 in.	60 in.
PART NO.		8866415*	8866416*	8866417*	8866418*	8866419*	8866558*	8866420*	10166297**	10166298**	10166994**	10166299**
SKYTRAK	6036 SERIAL NO. < 0160037788	•	•	•	•	•	•	•				
	6042 SERIAL NO. < 0160037788	•	•	•	•	•	•	•				
	8042 SERIAL NO. < 0160037798	•	•	•	•	•	•	•				
	10042 SERIAL NO. < 0160037797	•	•	•	•	•	•	•				
	10054 SERIAL NO. < 0160037792	•	•	•	•	•	•	•				
LULL	644E-42 SERIAL NO. < 0160037793	•	•	•	•	•	•	•				
	944E-42 SERIAL NO. < 0160037793	•	•	•	•	•	•	•				
	1044C-54SII SERIAL NO. < 0160037892								•	•	•	•

NON-CURRENT PRODUCTION AUGER EXTENSION

Ordered exclusively through JLG Aftermarket Parts

LENGTH		14 in.	24 in.
PART NO.		8866422	8866423
SKYTRAK	6036 SERIAL NO. < 0160037788	•	•
	6042 SERIAL NO. < 0160037788	•	•
	8042 SERIAL NO. < 0160037798	•	•
	10042 SERIAL NO. < 0160037797	•	•
	10054 SERIAL NO. < 0160037792	•	•
LULL	644E-42 SERIAL NO. < 0160037793	•	•
	944E-42 SERIAL NO. < 0160037793	•	•

NOTES:

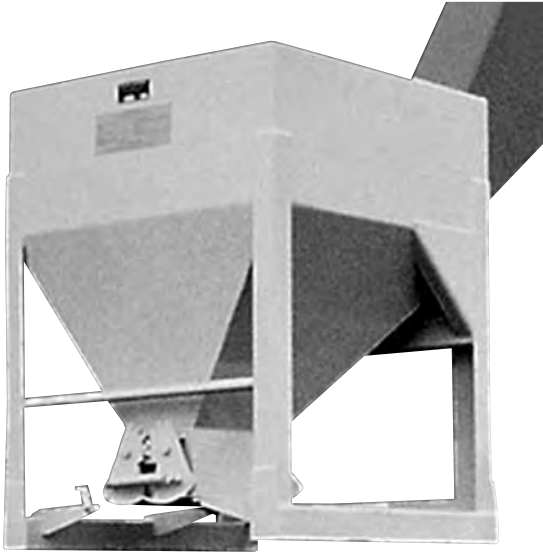
* REQUIRED: Auger Drive Motor, Part No. 8866438 & Adapter, Part No. 6043600

** REQUIRED: Auger Drive Motor, Part No. 51012

"<" Refers to a serial number that is prior to/lesser than the number listed.

NOTE: Use only JLG approved attachments with proper material handler model/attachment load capacity charts displayed in the operator's cab.

Can't find the attachment you are looking for? Contact your JLG Aftermarket Parts representative at 1-877-JLG-LIFT or visit www.jlg.com.



CONCRETE BUCKET

The concrete bucket can increase your job site efficiency by reducing the amount of time and personnel that are required to get concrete materials to elevated sites.

GRADALL NOTES:

- 30 in. swivel chute – 30° right or left
- 48 in. x 48 in.

SKYTRAK/LULL NOTES:

- Manual and auxiliary hydraulic options available
- Discharge hose options
- 36 in. x 36 in.

NOTE: Use only JLG approved attachments with proper material handler model/attachment load capacity charts displayed in the operator's cab.

Can't find the attachment you are looking for? Contact your JLG Aftermarket Parts representative at 1-877-JLG-LIFT or visit www.jlg.com.

NON-CURRENT PRODUCTION CONCRETE BUCKET

Ordered exclusively through JLG Aftermarket Parts

CAPACITY		.5 cu. yd.	.75 cu. yd.	1 cu. yd.	.5 cu. yd.	1 cu. yd.
CONTROLS		Manual	Manual	Manual	Hydraulic	Hydraulic
TYPE		Quick Switch MTD	Fork Mounted	Quick Switch MTD	Quick Switch	Quick Switch
PART NO.		8866444	91123115	8866443	8866442	8866441
GRADALL	534D9-45 SERIAL NO. < 0160037688		•			
	534D10-45 SERIAL NO. < 0160037688		•			
	544D10-55 SERIAL NO. < 0160037688		•			
SKYTRAK	6036 SERIAL NO. < 0160037788	•			•	
	6042 SERIAL NO. < 0160037788	•			•	
	8042 SERIAL NO. < 0160037798	•			•	
	10042 SERIAL NO. < 0160037797	•		•	•	•
	10054 SERIAL NO. < 0160037792	•		•	•	•

NON-CURRENT PRODUCTION CONCRETE BUCKET DISCHARGE HOSE

Ordered exclusively through JLG Aftermarket Parts

HOSE LENGTH		4 in.	4 in. w/ gate	6 in.	8 in.	Rubber side discharge
PART NO.		8866446	8866561	8866464	8866560	8866445
SKYTRAK	6036 SERIAL NO. < 0160037788	•	•	•	•	•
	6042 SERIAL NO. < 0160037788	•	•	•	•	•
	8042 SERIAL NO. < 0160037798	•	•	•	•	•
	10042 SERIAL NO. < 0160037797	•	•	•	•	•
	10054 SERIAL NO. < 0160037792	•	•	•	•	•
LULL	644E-42 SERIAL NO. < 0160037793	•	•	•	•	•
	944E-42 SERIAL NO. < 0160037793	•	•	•	•	•

"<" Refers to a serial number that is prior to/lesser than the number listed.

NOTE: Use only JLG approved attachments with proper material handler model/attachment load capacity charts displayed in the operator's cab.

Can't find the attachment you are looking for? Contact your JLG Aftermarket Parts representative at 1-877-JLG-LIFT or visit www.jlg.com.



6

A

Lull

644L

FORKS

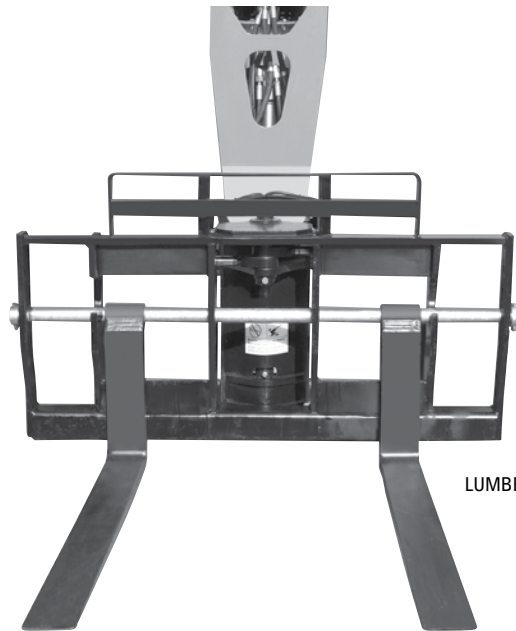


FORKS

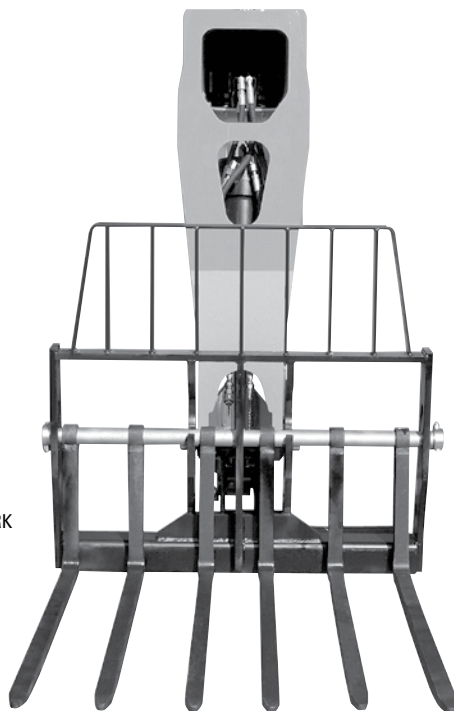
There are three main fork types available: the pallet fork, the cubing fork, and the lumber fork. A pallet fork is designed to handle palletized material and other loads that require transportation and placement. The cubing fork has a smaller width and is used to load, unload, and place cubes of brick or block. The lumber fork has a wider width and is ideal for separating stacks of lumber.



PALLET FORK



LUMBER FORK



CUBING FORK

CURRENT PRODUCTION FORKS

Ordered through JLG Aftermarket Parts or with new machine orders

TYPE	Pallet	Lumber	Pallet	Pallet	Pallet	Cubing	Narrow Pallet	Pallet	Pallet	Pallet	Lumber	Lumber	Cubing
THICKNESS	2 in.	1.5 in.	1.97 in.	1.77 in.	1.97 in.	1.97 in.	1.97 in.	2.36 in.	2.36 in.	2.36 in.	1.75 in.	2.36 in.	2 in.
WIDTH	4 in.	6 in.	4.72 in.	4.92 in.	3.94 in.	1.97 in.	3.94 in.	4 in.	5 in.	6 in.	7 in.	6 in.	2 in.
LENGTH	48 in.	60 in.	47.24 in.	47.24 in.	47.24 in.	47.24 in.	47.24 in.	48 in.	48 in.	72 in.	60 in.	60 in.	48 in.
CAPACITY PER FORK AT 24 IN. LOAD CENTER	3,800 lb	3,650 lb	4,409 lb	4,409 lb	4,409 lb	2,204 lb	4,409 lb	5,475 lb	6,850 lb	5,650 lb	5,400 lb	8,150 lb	1,940 lb
PART NO.	1001099458	1001099457	2340040	2340029	2340030	1001097922	2340041	2340045	2340038	1001092391	2340046	2340039	2340037
JLG ALL-WHEEL STEER	619A		•	•	•	•	•						
	723A		•	•	•	•	•						
	G5-18A	•	•										•
	G6-42A SERIAL NO. > 0160037722							•	•	•	•	•	•
	G9-43A SERIAL NO. > 0160037671							•	•	•	•	•	•
	G10-55A SERIAL NO. > 0160037690							•	•	•	•	•	•
	G12-55A SERIAL NO. > 0160037689							•	•	•	•	•	•
JLG REAR PIVOT STEER	G6-42P SERIAL NO. > 0160037689							•	•	•	•	•	•
	534D9-45 SERIAL NO. > 0160037689							•	•	•	•	•	•
	534D10-45 SERIAL NO. > 0160037689							•	•	•	•	•	•
	544D10-55 SERIAL NO. > 0160037689							•	•	•	•	•	•
SKYTRAK	6036 SERIAL NO. > 0160037789							•	•	•	•	•	•
	6042 SERIAL NO. > 0160037789							•	•	•	•	•	•
	8042 SERIAL NO. > 0160037799							•	•	•	•	•	•
	10042 SERIAL NO. > 0160037798							•	•	•	•	•	•
	10054 SERIAL NO. > 0160037793							•	•	•	•	•	•
LULL	644E-42 SERIAL NO. > 0160037794							•	•	•	•	•	•
	944E-42 SERIAL NO. > 0160037794							•	•	•	•	•	•
	1044C-54SII SERIAL NO. > 0160037893							•	•	•	•	•	•

NON-CURRENT PRODUCTION DUAL POSITIONING FORKS

Ordered exclusively through JLG Aftermarket Parts

TYPE	Right-hand	Left-hand	Right-hand	Left-hand
THICKNESS	2 in.	2 in.	4 in.	4 in.
WIDTH	4 in.	4 in.	4 in.	4 in.
LENGTH	42 in.	42 in.	48 in.	48 in.
CAPACITY PER FORK AT 24 IN. LOAD CENTER	4,000 lb	4,000 lb	4,000 lb	4,000 lb
PART NO.	10338503	10338502	10339346	10339345
LULL	10K-42	•	•	•
	10K-54	•	•	•
	1044C-42	•	•	•
	1044C-54SII SERIAL NO. < 0160037892	•	•	•

NON-CURRENT PRODUCTION FORKS
ON FOLLOWING PAGES

">" Refers to a serial number that is after/greater than the number listed.

Forks rated less than the attachment and/or machine capacity, decrease the capacity of the attachment and machine to that of the forks. Forks rated more than the attachment and/or machine capacity do not increase the attachment or machine capacity.

Can't find the attachment you are looking for? Contact your JLG Aftermarket Parts representative at 1-877-JLG-LIFT or visit www.jlg.com.

NON-CURRENT PRODUCTION FORKS

Ordered exclusively through JLG Aftermarket Parts

TYPE	Pallet	Pallet	Cubing	Pallet	Pallet	Drywall	Pallet
THICKNESS	1.97 in.	1.97 in.	2 in.	1.75 in.	2.25 in.	1.75 in.	2.25 in.
WIDTH	4.72 in.	3.94 in.	2 in.	4 in.	5 in.	4 in.	4 in.
LENGTH	47.24 in.	47.24 in.	48 in.	48 in.	48 in.	48 in.	48 in.
CAPACITY PER FORK AT 24 IN. LOAD CENTER	4,409 lb	4,409 lb	1,940 lb	3,050 lb	6,850 lb	2,500 lb	5,475 lb
PART NO.	2340040	2340041	91403359	91403364	91563141	91403366	91513206
JLG	G6-42A SERIAL NO. < 0160037721		•	•	•	•	•
	G9-43A SERIAL NO. < 0160037670		•	•	•	•	•
	G10-55A SERIAL NO. < 0160037689		•	•	•	•	•
	G12-55A SERIAL NO. < 0160037688		•	•	•	•	•
	G5-19A	•	•				
	G6-23A	•	•				
	TF6-42			•	•	•	•
GRADALL	G6-42P SERIAL NO. < 0160037688		•	•	•	•	•
	522/524D						
	534C9						
	534C10						
	544C						
	534D6						
	534D9						
	534D10						
544D10							

NON-CURRENT PRODUCTION FORKS (CONT.)

Ordered exclusively through JLG Aftermarket Parts

TYPE	Pallet	Pallet	Pallet	Pallet	Pallet	Pallet	Pallet
THICKNESS	1.75 in.	2 in.	2 in.	2 in.	2 in.	2 in.	2.25 in.
WIDTH	4 in.	6 in.	6 in.	6 in.	6 in.	6 in.	8 in.
LENGTH	48 in.	60 in.	60 in.	60 in.	72 in.	72 in.	48 in.
CAPACITY PER FORK AT 24 IN. LOAD CENTER	2,500 lb	5,000 lb	5,650 lb	5,650 lb	5,000 lb	5,000 lb	7,500 lb
PART NO.	90553008	90601015	91163269*	90453045	90553018	91123132*	90600832
JLG	G6-42A SERIAL NO. < 0160037721						
	G9-43A SERIAL NO. < 0160037670						
	G10-55A SERIAL NO. < 0160037689						
	G12-55A SERIAL NO. < 0160037688						
	G5-19A						
	G6-23A						
	TF6-42						
GRADALL	G6-42P SERIAL NO. < 0160037688						
	522/524D	•	•	•	•	•	•
	534C9	•	•	•	•	•	•
	534C10	•	•	•	•	•	•
	544C	•	•	•	•	•	•
	534D6	•	•	•	•	•	•
	534D9	•	•	•	•	•	•
	534D10	•	•	•	•	•	•
544D10	•	•	•	•	•	•	

* These forks are a full taper fork. "<" Refers to a serial number that is prior to/lesser than the number listed.
 Forks rated less than the attachment and/or machine capacity, decrease the capacity of the attachment and machine to that of the forks.
 Forks rated more than the attachment and/or machine capacity do not increase the attachment or machine capacity.
Can't find the attachment you are looking for? Contact your JLG Aftermarket Parts representative at 1-877-JLG-LIFT or visit www.jlg.com.

NON-CURRENT PRODUCTION FORKS (CONT.)

Ordered exclusively through JLG Aftermarket Parts

TYPE	Pallet	Pallet	Cubing	Pallet	Pallet	Pallet	Pallet
THICKNESS	2 in.	2.5 in.	2 in.	1.75 in.	2 in.	2.25 in.	2 in.
WIDTH	6 in.	6 in.	2 in.	6 in.	4 in.	4 in.	6 in.
LENGTH	60 in.	60 in.	48 in.	48 in.	48 in.	48 in.	48 in.
CAPACITY PER FORK AT 24 IN. LOAD CENTER	5,650 lb	8,150 lb	1,500 lb	4,500 lb	4,000 lb	10,950 lb	5,000 lb
PART NO.	91403580	91563142	90600390	90601819	90453002	90453048	90553005
JLG	G6-42A SERIAL NO. < 0160037721	•	•				
	G9-43A SERIAL NO. < 0160037670	•	•				
	G10-55A SERIAL NO. < 0160037689	•	•				
	G12-55A SERIAL NO. < 0160037688	•	•				
	G5-19A						
	G6-23A						
	TF6-42	•	•				
GRADALL	G6-42P SERIAL NO. < 0160037688	•	•				
	522/524D			•	•	•	•
	534C9			•	•	•	•
	534C10			•	•	•	•
	544C			•	•	•	•
	534D6			•	•	•	•
	534D9			•	•	•	•
	534D10			•	•	•	•
	544D10			•	•	•	•

NON-CURRENT PRODUCTION FORKS (CONT.)

Ordered exclusively through JLG Aftermarket Parts

TYPE	Pallet	Pallet	Pallet	Pallet	Pallet	Pallet
THICKNESS	2.25 in.	2.25 in.	2.5 in.	2.25 in.	2 in.	2 in.
WIDTH	7 in.	8 in.	8 in.	7 in.	6 in.	6 in.
LENGTH	48 in.	60 in.	60 in.	60 in.	96 in.	72 in.
CAPACITY PER FORK AT 24 IN. LOAD CENTER	7,500 lb	8,000 lb	8,000 lb	7,500 lb	3,750 lb	5,000 lb
PART NO.	90601873	90600833	90601219	90601874	H0453002	90553018
JLG	G6-42A SERIAL NO. < 0160037721					
	G9-43A SERIAL NO. < 0160037670					
	G10-55A SERIAL NO. < 0160037689					
	G12-55A SERIAL NO. < 0160037688					
	G5-19A					
	G6-23A					
	TF6-42					
GRADALL	G6-42P SERIAL NO. < 0160037688					
	522/524D	•	•	•	•	•
	534C9	•	•	•	•	•
	534C10	•	•	•	•	•
	544C	•	•	•	•	•
	534D6	•	•	•	•	•
	534D9	•	•	•	•	•
	534D10	•	•	•	•	•
	544D10	•	•	•	•	•

* These forks are a full taper fork. "<" Refers to a serial number that is prior to/lesser than the number listed.
 Forks rated less than the attachment and/or machine capacity, decrease the capacity of the attachment and machine to that of the forks.
 Forks rated more than the attachment and/or machine capacity do not increase the attachment or machine capacity.
Can't find the attachment you are looking for? Contact your JLG Aftermarket Parts representative at 1-877-JLG-LIFT or visit www.jlg.com.

NON-CURRENT PRODUCTION FORKS (CONT.)

Ordered exclusively through JLG Aftermarket Parts

TYPE		Pallet	Pallet	Lumber	Block	Lumber	Pallet
THICKNESS		2.36 in.	2 in.	1.75 in.	2 in.	2 in.	1.75 in.
WIDTH		4 in.	6 in.	7 in.	2 in.	5 in.	4 in.
LENGTH		48 in.	60 in.	60 in.	48 in.	60 in.	48 in.
CAPACITY PER FORK AT 24 IN. LOAD CENTER		5,000 lb	5,650 lb	5,000 lb	2,000 lb	3,000 lb	3,000 lb
PART NO.		7301408	2340036	7139746	7139747	7092793	7048233
SKYTRAK	6036 SERIAL NO. < 0160037788	•	•	•	•	•	•
	6042 SERIAL NO. < 0160037788	•	•	•	•	•	•
	8042 SERIAL NO. < 0160037798	•	•	•	•	•	•
	10042 SERIAL NO. < 0160037797	•	•	•	•	•	•
	10054 SERIAL NO. < 0160037792	•	•	•	•	•	•
LULL	644E-42 SERIAL NO. < 0160037793	•	•	•	•		
	944E-42 SERIAL NO. < 0160037793	•	•	•	•		
	1044C-54SII SERIAL NO. < 0160037892		•				
	644B-37						
	644B-42						
	844C-42						
	1044C-42		•				
	1044C-54		•				
	644D-34						
	6K-37						
	6K-42						
	8K-42						

NON-CURRENT PRODUCTION FORKS (CONT.)

Ordered exclusively through JLG Aftermarket Parts

TYPE		Lumber	Pallet	Pallet	Pallet	Pallet	Lumber
THICKNESS		1.75 in.	2 in.	2.25 in.	2 in.	2.25 in.	1.5 in.
WIDTH		7 in.	5 in.	4 in.	5 in.	4 in.	6 in.
LENGTH		60 in.	42 in.	42 in.	48 in.	48 in.	48 in.
CAPACITY PER FORK AT 24 IN. LOAD CENTER		5,000 lb	5,000 lb	5,000 lb	5,000 lb	5,000 lb	4,000 lb
PART NO.		1001099849	10238568	10239893	1001099846	1001099847	10217103
SKYTRAK	6036 SERIAL NO. < 0160037788						
	6042 SERIAL NO. < 0160037788						
	8042 SERIAL NO. < 0160037798						
	10042 SERIAL NO. < 0160037797						
	10054 SERIAL NO. < 0160037792						
LULL	644E-42 SERIAL NO. < 0160037793						
	944E-42 SERIAL NO. < 0160037793						
	1044C-54SII SERIAL NO. < 0160037892	•	•	•	•	•	
	644B-37						•
	644B-42						•
	844C-42						•
	1044C-42	•	•	•	•	•	
	1044C-54	•	•	•	•	•	
	644D-34						•
	6K-37						•
	6K-42						•
	8K-42						•

* These forks are only available with the swing carriage. "<" Refers to a serial number that is prior to/lesser than the number listed.

Forks rated less than the attachment and/or machine capacity, decrease the capacity of the attachment and machine to that of the forks.

Forks rated more than the attachment and/or machine capacity do not increase the attachment or machine capacity.

Can't find the attachment you are looking for? Contact your JLG Aftermarket Parts representative at 1-877-JLG-LIFT or visit www.jlg.com.

NON-CURRENT PRODUCTION FORKS (CONT.)

Ordered exclusively through JLG Aftermarket Parts

TYPE		Pallet	Pallet	Cubing	Lumber	Pallet	Lumber
THICKNESS		2 in.	2.25 in.	2 in.	1.75 in.	2 in.	1.75 in.
WIDTH		5 in.	4 in.	2 in.	7 in.	5 in.	7 in.
LENGTH		60 in.	60 in.	48 in.	48 in.	60 in.	60 in.
CAPACITY PER FORK AT 24 IN. LOAD CENTER		5,000 lb	5,000 lb	2,000 lb	5,000 lb	5,000 lb	5,000 lb
PART NO.		1001099848	10239895	1001099845	10239094	10239970*	10239969*
SKYTRAK	6036 SERIAL NO. < 0160037788						
	6042 SERIAL NO. < 0160037788						
	8042 SERIAL NO. < 0160037798						
	10042 SERIAL NO. < 0160037797						
	10054 SERIAL NO. < 0160037792						
LULL	644E-42 SERIAL NO. < 0160037793						
	944E-42 SERIAL NO. < 0160037793						
	1044C-54SII SERIAL NO. < 0160037892	•	•	•	•	•	•
	644B-37			•			
	644B-42			•			
	844C-42			•			
	1044C-42	•	•	•	•		
	1044C-54	•	•	•	•		
	644D-34			•			
	6K-37			•			
	6K-42			•			
	8K-42			•			

NON-CURRENT PRODUCTION FORKS (CONT.)

Ordered exclusively through JLG Aftermarket Parts

TYPE		Pallet	Pallet	Lumber	Lumber
THICKNESS		2 in.	2 in.	2 in.	1.5 in.
WIDTH		4 in.	4 in.	2 in.	6 in.
LENGTH		42 in.	48 in.	60 in.	60 in.
CAPACITY PER FORK AT 24 IN. LOAD CENTER		4,000 lb	4,000 lb	4,000 lb	4,000 lb
PART NO.		10238026	1001099850	10238117	10223610
SKYTRAK	6036 SERIAL NO. < 0160037788				
	6042 SERIAL NO. < 0160037788				
	8042 SERIAL NO. < 0160037798				
	10042 SERIAL NO. < 0160037797				
	10054 SERIAL NO. < 0160037792				
LULL	644E-42 SERIAL NO. < 0160037793				
	944E-42 SERIAL NO. < 0160037793				
	1044C-54SII SERIAL NO. < 0160037892				
	644B-37	•	•	•	•
	644B-42	•	•	•	•
	844C-42	•	•	•	•
	1044C-42				
	1044C-54				
	644D-34	•	•	•	•
	6K-37	•	•	•	•
	6K-42	•	•	•	•
	8K-42	•	•	•	•

* These forks are only available with the swing carriage. "<" Refers to a serial number that is prior to/lesser than the number listed.

Forks rated less than the attachment and/or machine capacity, decrease the capacity of the attachment and machine to that of the forks.

Forks rated more than the attachment and/or machine capacity do not increase the attachment or machine capacity.

Can't find the attachment you are looking for? Contact your JLG Aftermarket Parts representative at 1-877-JLG-LIFT or visit www.jlg.com.



A B
SKYTRAK

JLG

SKYTRAK

www.jlg.com

8042

STOCK
LUMBER

STOCK
LUMBER

STOCK
LUMBER

STOCK
LUMBER

STOCK
LUMBER

STOCK
LUMBER

STOCK
LUMBER

STOCK
LUMBER

STOCK
LUMBER

STOCK
LUMBER

STOCK
LUMBER

ACCESSORIES





CAB COVERS

Protect your equipment and cab interior from water damage with a high-durability, waterproof cab cover. Cab covers are easy to install without any additional tools and include a 1-year limited warranty. The covers are exclusively offered by JLG Aftermarket Parts for JLG, SkyTrak, and Lull model telehandlers.

CAB COVERS

Ordered through JLG Aftermarket Parts

	PART NO.	7025612	91144471	7025598	7025600	7025599
JLG ALL-WHEEL STEER	TF6-42	•				
	G6-42A	•				
	G9-43A	•				
	G10-55A	•				
	G12-55A	•				
JLG REAR PIVOT STEER	G6-42P	•				
	534D9-45		•			
	534D10-45		•			
	544D10-55		•			
SKYTRAK	6036			•		
	6042			•		
	8042			•		
	10042			•		
	10054			•		
LULL	644E-42				•	
	944E-42				•	
	1044C-54SII					•

Can't find the attachment you are looking for? Contact your JLG Aftermarket Parts representative at 1-877-JLG-LIFT or visit www.jlg.com.



HEATED SEAT COVERS

The heated seat cover kit is custom fit for the JLG suspension seat installed in all JLG, Lull, and SkyTrak telehandlers. Designed with the operator in mind, the seat cover concentrates heat to the seat and the upper back rest area, keeping the operator warm and comfortable during even the coldest winter days.

NOTES:

- Powered by a 7.4V lithium battery pack and charger (both included)
- Battery provides 4 hours of heat on highest setting, over 10 hours of heat on lowest setting
- Drain sewn into seat cover for excess water run-off
- Seat covers are not recommended for installation on other equipment manufacturer's seat assemblies
- Installation instruction available at JLG Online Express®

HEATED SEAT COVERS

Ordered through JLG Aftermarket Parts

DESCRIPTION	Heated seat cover kit	Heated seat battery replacement	Heated seat battery charger	Heated seat battery harness	On/off heated seat switch
PART NO.	70010331	70010339	70010340	70010343	70010344

Heated seat covers will not fit the Severe Duty Seat, item no. 91403527.

Can't find the attachment you are looking for? Contact your JLG Aftermarket Parts representative at 1-877-JLG-LIFT or visit www.jlg.com.



HARD CAB ENCLOSURE KITS

Be prepared for cold and rainy days by ordering a hard cab enclosure kit for your telehandler. All kits are factory approved and specifically designed to help you upgrade your open cab.

NOTES:

- Complete heater assembly included with hard cab enclosure kits
- Complete installation instructions available at JLG Online Express

HARD CAB ENCLOSURE KITS

Ordered exclusively through JLG Aftermarket Parts

PART NO.		2902435	91475066S	91475108S	91085050	91145050	91145096
JLG	G6-42A SERIAL NO. 0190001 - 0190457 OR 016000008 - 0160015432		•				
	G6-42A SERIAL NO. > 0160015457			•			
	G9-43A SERIAL NO. 0193001 - 0193007 OR 016000008 - 0160015259		•				
	G9-43A SERIAL NO. > 0160015459			•			
	G10-55A	•					
	G12-55A	•					
	TF6-42 SERIAL NO. 0192001-0192007 OR 0160000052-0160013828			•			
TF6-42 SERIAL NO. > 0160013982				•			
GRADALL	522/524 C SERIAL NO. > 0177004				•		
	522/524 C SERIAL NO. > 0177121					•	
	522/524 C SERIAL NO. > 0277367						•
	532C-6/534C-6 SERIAL NO. > 0288776				•		
	532C-6/534C-6 SERIAL NO. > 0488237						•

">" Refers to a serial number that is after/greater than the number listed.

Can't find the attachment you are looking for? Contact your JLG Aftermarket Parts representative at 1-877-JLG-LIFT or visit www.jlg.com.

HARD CAB ENCLOSURE KITS (CONT.)

Ordered exclusively through JLG Aftermarket Parts

PART NO.		91085050	91145050	91145096	91345003	91535014	0274497S	91483036S	91415027	91403084S	10455000S	7151295S	7139050S
GRADALL (CONT.)	534C-9/534C-10 SERIAL NO. > 0344000 OR > 0266000		•										
	534C-9/534C-10 SERIAL NO. > 0444002 OR > 0266106			•									
	544C SERIAL NO. > 0255000	•											
	522D/524D SERIAL NO. > 0277000				•								
	522D/524D LO-PRO SERIAL NO. > 0191000							•					
	534D-6/534DT				•								
	534D-9 SERIAL NO. 0544001 - 0160000853 excluding 0160000700				•								
	534D-9 SERIAL NO. 0160001051 - 0160012394 including 0160000700 excluding 0160012112					•							
	534D-9 SERIAL NO. > 0160012442 including 0160012298							•					
	534D-10 SERIAL NO. 0366001 - 0160000974				•								
	534D-10 SERIAL NO. 0160000978 - 0160012392 excluding 0160012289					•							
	534D-10 SERIAL NO. > 0160012391 including 0160012289							•					
	544D SERIAL NO. 0355001 - 0455497 OR 0160000192 - 0160012366 excluding 0160012298				•								
	544D SERIAL NO. > 0160012436 including 0160012298							•					
G6-42P SERIAL NO. 0189001 - 0189345 OR 0160000230 - 0160015436									•				
G6-42P SERIAL NO. > 0160015464										•			
SKYTRAK	6036												•
	6042												•
	8042												•
	10042												•
	10054												•
LULL	644B-37/644B-42										•		
	844C-42										•		
	1044C-42/1044C-54										•		
	644D										•		
	644E-42/944E-42											•	
	6K-37/6K-42										•		
	8K-42										•		
10K-42/10K-54										•			

">" Refers to a serial number that is after/greater than the number listed.

Can't find the attachment you are looking for? Contact your JLG Aftermarket Parts representative at 1-877-JLG-LIFT or visit www.jlg.com.



VINYL CAB ENCLOSURE KITS

The vinyl cab enclosure kits offer an extra layer of protection from the cold and rainy weather. The kits are easily installed with no additional tools required.

NOTES:

- 1-year limited warranty
- Glass windshield and skylight
- Heater parts available and sold separately

VINYL CAB ENCLOSURE

Ordered through JLG Aftermarket Parts

DESCRIPTION	Vinyl cab enclosure kit	Heater part	Vinyl cab enclosure kit	Heater part	Vinyl cab enclosure kit	Heater part	Vinyl cab enclosure kit	Heater part
PART NO.	7151276	7301472S	7139250	7148100	70010041	91405056S	70010059	91365017
JLG	G6-42A				•	•		
	G9-43A				•	•		
	G10-55A				•	•		
	G12-55A				•	•		
	TF6-42				•	•		
GRADALL	G6-42P				•	•		
	534D-6						•	•
	534D-9						•	•
	544D						•	•
SKYTRAK	6036		•	•				
	6042		•	•				
	8042		•	•				
	10042		•	•				
	10054		•	•				
LULL	644E-42	•	•					
	944E-42	•	•					



WEAR PAD KITS

The wear pad kits help service technicians perform efficient and precise maintenance on the booms of your JLG telehandlers. The kits include the wear pads and all hardware required for installation, packaged in one box.

WEAR PAD KITS

Ordered through JLG Aftermarket Parts

	MODEL	PART NO.
JLG	G6-42A	2910983
	G9-43A	2910984
	G10-55A	2910980
	G12-55A	2910981
	TF6-42	2910993
GRADALL	G6-42P	2910982
	534B-9	2910988
	534C-10	2910987
	534D-9 SERIAL NO. < 0644118	2910992
	534D-9 SERIAL NO. 0644119 - 0744407 OR > 0160000111	2910992
	534D-10 SERIAL NO. < 0366088	2910991
	534D-10 SERIAL NO. 0366089 - 0366533 OR > 0160000125	2910992
	544B	2910986
	544D	2910985
	522-524	2910990
552-554	2910989	

	MODEL	PART NO.
SKYTRAK	6036	2910994
	6036 (PRE-LEGACY)	2910997
	8042	2910995
	8042 (PRE-LEGACY)	2910998
	10042	2910995
	10042 (PRE-LEGACY)	2910998
	10054	2910996
	10054 (PRE-LEGACY)	2910999
LULL	644B-37	2911002
	644B-42	2911003
	844B	2911006
	1044B	2911005
	844C-42	2911003
	1044C-42	2911003
	1044C-54	2911004
	644D-34	2911007
	644E-42	2911000
	944E-42	2911001
	6K-37	2911002
	6K-42	2911003
	8K-42	2911003
	10K-54	2911004
	644	2911008

"<" Refers to a serial number that is prior to/lesser than the number listed.

">" Refers to a serial number that is after/greater than the number listed.



FENDER KITS

The telehandler fender installation kits include everything required to install four fenders. Help protect your investment by reducing debris slung into the air from tire rotation.

NOTES:

- Replacement components available
- Will not work with Carraro Axles

FENDER INSTALLATION KITS

Ordered through JLG Aftermarket Parts

PART NO.		7147400	7147500	7301311S	91475103S	91515071S	91565081S
JLG	TF6-42						
	G6-42A				•		
	G9-43A					•	
	G10-55A						•
	G12-55A						•
SKYTRAK	6036	•					
	6042	•					
	8042	•					
	10042		•				
	10054		•				
LULL	644E-42			•			
	944E-42			•			

FENDER REPLACEMENTS

Ordered through JLG Aftermarket Parts

REPLACEMENT SIDE		Right	Left	Right	Left	Right	Left	Right	Left
PART NO.		7150706	7150706	7139226	7139226	7150696S*	7150695S*	91473126	91473126
JLG	G6-42A							•	•
	G9-43A							•	•
	G10-55A							•	•
	G12-55A							•	•
SKYTRAK	6036	•	•						
	6042	•	•						
	8042	•	•						
	10042			•	•				
	10054			•	•				
LULL	644E-42					•	•		
	944E-42					•	•		

* NOTE: Lull replacements are side specific (different part numbers). The right fender is part no. 7150696S. The left fender is part no. 7150695S.

Can't find the attachment you are looking for? Contact your JLG Aftermarket Parts representative at 1-877-JLG-LIFT or visit www.jlg.com.



HYDRAULIC PRESSURE TESTING KITS

Don't guess at the performance of your equipment's hydraulic functions, circuits, and components. JLG Aftermarket Parts offers a digital gauge kit and a dial gauge kit, both with replacement parts available.

NOTES:

- Digital gauge kit (shown in picture)
 - + High pressure kit has a range of 8,000 psi
 - + Precise +/- .5% full-scale accuracy
 - + 4-digit digital display
 - + Additional fittings available**
- Dial gauge kit
 - + High pressure kit has a range of 10,000 psi

HYDRAULIC PRESSURE TESTING KITS

Ordered through JLG Aftermarket Parts

DESCRIPTION	Digital hydraulic pressure test kit	Dial gauge hydraulic pressure test kit	Quick connect fitting for Skytrak/Lull machines**
PART NO.	70000101	70000652	8430045

** Part No. 8430045 (Quick Connect Fitting for SkyTrak/Lull Machines) is an additional fitting available.

Can't find the attachment you are looking for? Contact your JLG Aftermarket Parts representative at 1-877-JLG-LIFT or visit www.jlg.com.



FORK WEAR CALIPER

Worn-out forks are unreliable and inefficient on the job site. A fork wear caliper can help you identify fork wear before it becomes an issue. If the inner caliper jaws touch the fork, wear is within tolerance and the fork is okay for use. If the inner jaws pass over the fork, wear is more than 10%. Once fork wear is over 10%, the fork must be removed from service and replaced.

NOTES:

- Pocket portable and easy to use on job site
- More accurate maintenance of your forks

FORK WEAR CALIPER

Ordered through JLG Aftermarket Parts

PART NO.

7025304



Whatever you need to optimize the productivity of your equipment. Whatever you need to make your work process easier. JLG® Aftermarket Parts has it. Work better. Work smarter. With JLG.



JLG
GROUND
SUPPORT
AFTERMARKET PARTS

For More Information

To find out more about how JLG® Ground Support is putting your work above everything, contact your JLG Aftermarket Parts representative at 877-JLG-LIFT or visit www.jlg.com.

www.jlg.com

JLG Industries, Inc.
1 JLG Drive
McConnellsburg, PA 17233
Telephone 717-485-5161
Toll-free in US 877-JLG-LIFT
Fax 717-485-6417
www.jlg.com

An Oshkosh Corporation Company

Part No. 3131975
R0410
Printed in USA

